



Quality and Reliability, Since 1932!

SPILL CONTAINMENT MANHOLES

INTERNAL DRAIN

Application -

Designed to contain spillage during underground tank filling.

Part Number - 71CD Patent number Des. 319,883



UNIVERSAL Advantage

Only from Universal! - A special flexible bellows allows both vertical and angular movement for easy installation. A rugged cast iron base, (not plastic,) like competitive products, eliminates any chance of cross threading. A cast iron base also eliminates any possibility of isolating the upper riser, and creating a static collector.

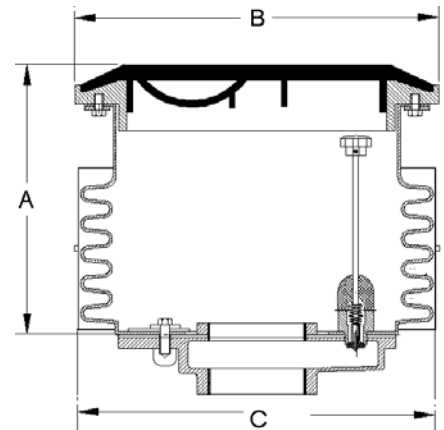
Features -

- ✓ An internal drain design without external connections
- ✓ All cast iron ring for maximum strength
- ✓ A special water shedding cover design
- ✓ Cross threading and stripping eliminated by a cast iron base
- ✓ Easy open off-set handle grip
- ✓ Available in 5 or 15 gallons
- ✓ Threads onto 4" riser
- ✓ H-20 rating
- ✓ Plastic guard – keeps gravel away from bellows

Construction -

- Polyethylene bellows
- Cast iron bottom ring
- Ductile cast iron cover

Model	Gallon Capacity	Weight (lbs.)	A	B	C
71CD-1212	5	44	15"	15-1/2"	15-1/2"
71CD-1512	15	62.5	16-1/2"	15-1/2"	24"



Notice: Universal Valve Co., products must be used in compliance with applicable federal, state, and local laws and regulations. Product selection should be based on physical specifications and limitations and compatibility with the environment and material to be handled. Universal Valve Co., makes no warranty of fitness for a particular use. All illustrations and specifications in this literature are based on the latest production information available at the time of publication. Prices, materials, and specification are subject to change at any time, and models may be discontinued at any time, in either case, without notice or obligation.

UNIVERSAL VALVE COMPANY

478 Schiller Street, Elizabeth, NJ 07206 • (800) 223-0741 • (908) 351-0606 • Fax: (908) 351-0369 • universalvalve.com

© 2003 Universal Valve Company, Inc.